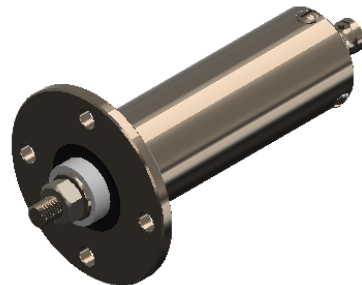
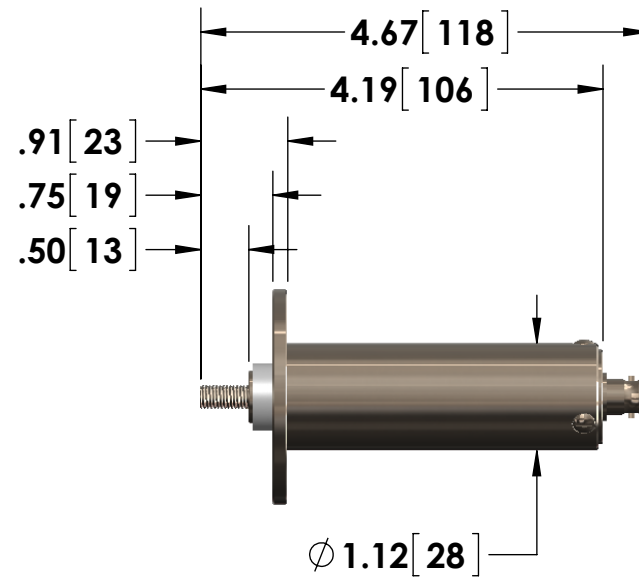
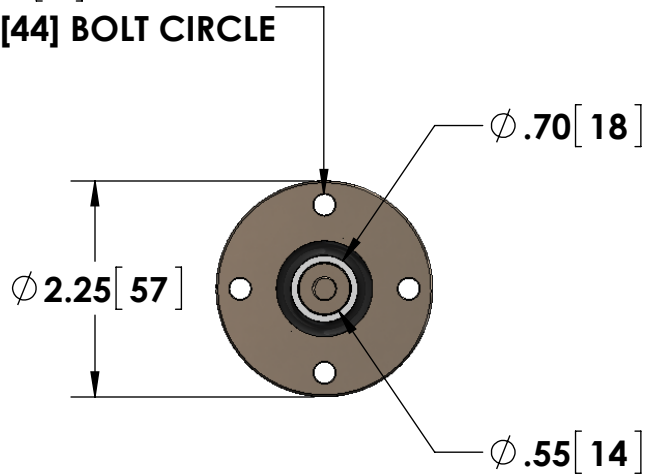


- 1/4-28 Stud Input w/Nut
- BNC (Amphenol) Output

4X ϕ .22[6] THRU
ON A ϕ 1.75[44] BOLT CIRCLE



Specifications subject to change without notice.



T & M RESEARCH PRODUCTS, INC.

TITLE: **M SERIES - 1M-05**

DIMENSIONS: **inch[mm]**

DATE: **03-25-2015**