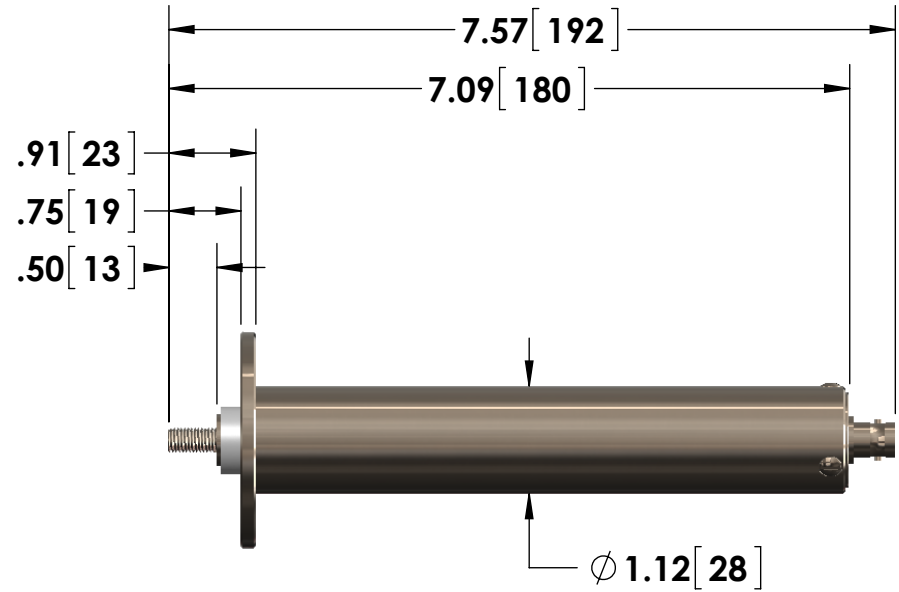
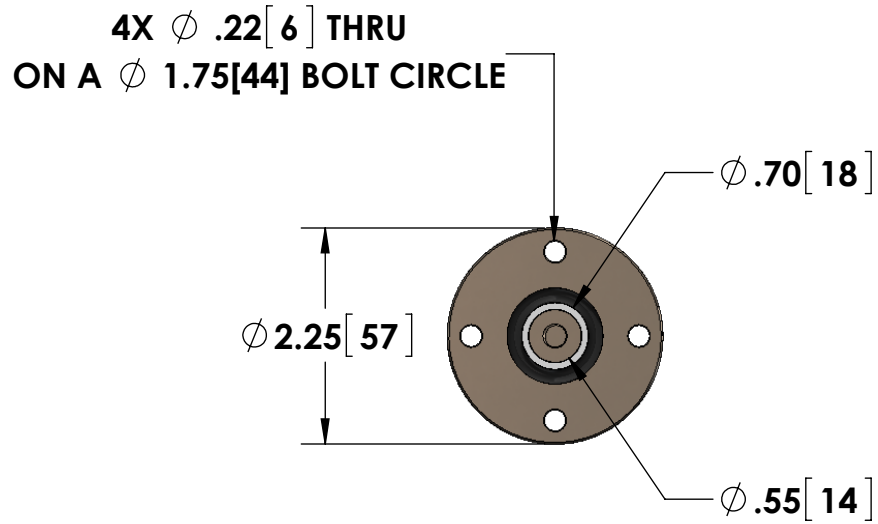


- 1/4-28 Stud Input w/Nut
- BNC (Amphenol) Output



Specifications subject to change without notice.



T & M RESEARCH PRODUCTS, INC.

TITLE: **M SERIES - 2M-T10**

DIMENSIONS: **inch[mm]**

DATE: **03-25-2015**