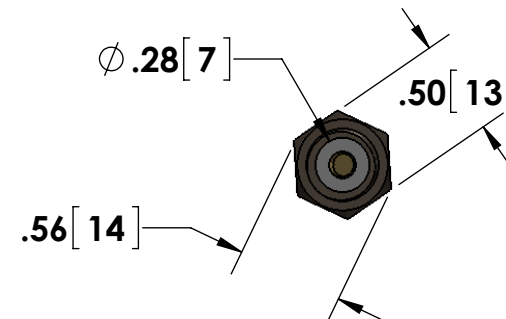
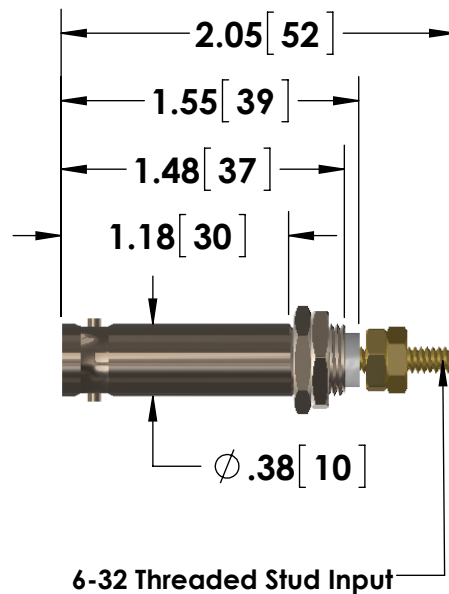


- BNC Output Connector (AMPHENOL P/N: 031-221)
- 6-32 Threaded Stud Current Input Connection
- 2 ea. 6-32 Nuts
- 3/8-32 Threaded Case Body (Ground Reference)
- 2 ea. 3/8-32 PANEL NUTS

SSDN/SSDN-414 Models

- SSDN-005 and SSDN-015
- SSDN-414-01/025/05



Specifications subject to change without notice.



T & M RESEARCH PRODUCTS, INC.

TITLE:

2 Watt SSDN/SSDN-414 SERIES - Short Case Body

DIMENSIONS:

inch[mm]

DATE:

01-01-2024